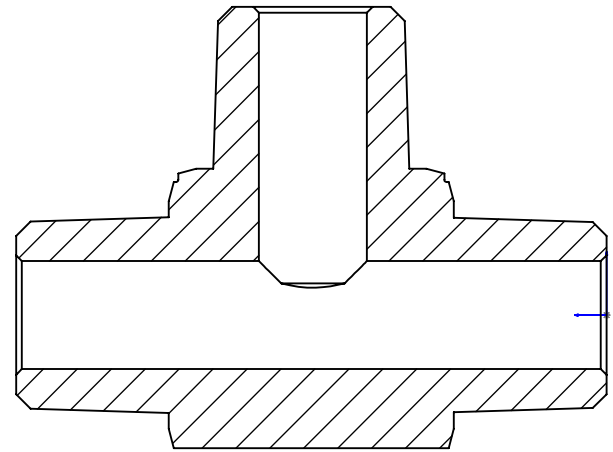
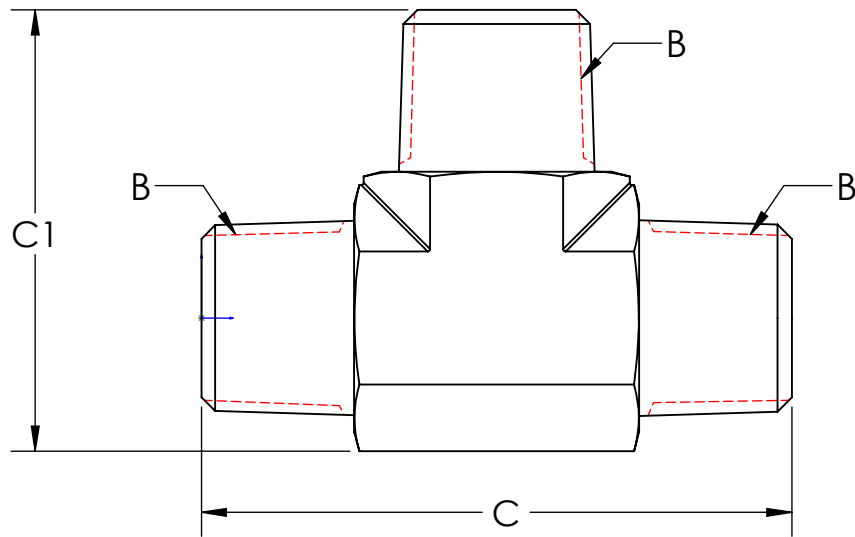


LINE DRAWING NOT FOR PRODUCTION PURPOSES



PART NUMBER	B NPT THREAD	C	C1	STD. PKG.	LBS. PER 100 PCS.
3280202SS	1/8-27	1.55	1.06	25	9.0
3280404SS	1/4-18	1.83	1.24	25	14.0
3280606SS	3/8-18	2.05	1.47	25	24.0
3280808SS	1/2-14	2.64	1.80	10	40.0
3281212SS	3/4-14	2.91	2.04	10	65.0
3281616SS	1"-11-1/2	3.64	2.60	5	113.0

MATERIAL 316 FORGED STAINLESS STEEL

PROPRIETARY AND CONFIDENTIAL

This drawing is owned by Dixon Valve & Coupling Co. and shall be returned upon demand. It is loaned on condition that it shall not be copied or reproduced or submitted to others without the owners consent. In accepting it, subject to this condition, the recipient further agrees that this drawing or any design detail or concept disclosed herein shall not be used in any way detrimental to or in competition with the owner. If the recipient does not agree to the terms of this agreement they shall return this drawing immediately. The information contained in this drawing is subject to change without notice.



Dixon Brass
Westmont, Illinois USA

DRAWN P. MONAGHAN	DATE 11/7/22
APPROVED	DATE
ECO NO.	

TITLE: MALE PIPE TEE
NPT THREAD

DO NOT SCALE THIS DRAWING		
SIZE A	DWG. NO. 328 SS SERIES	REV A