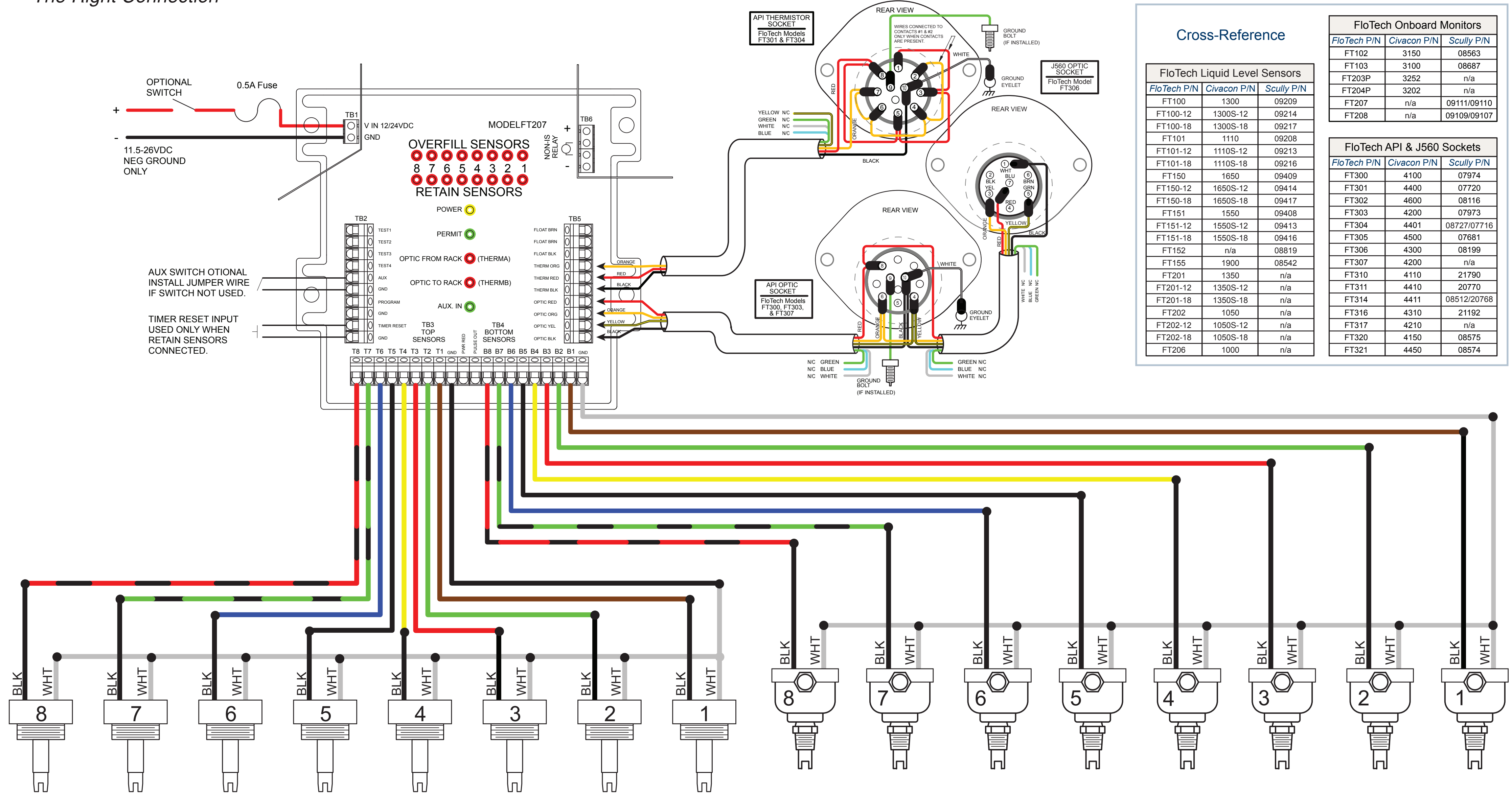




The Right Connection™

# 28XX CHECKMATE System with Retain and Overfill Sensors



### Cross-Reference

FloTech Liquid Level Sensors		
FloTech P/N	Civacon P/N	Scully P/N
FT100	1300	09209
FT100-12	1300S-12	09214
FT100-18	1300S-18	09217
FT101	1110	09208
FT101-12	1110S-12	09213
FT101-18	1110S-18	09216
FT150	1650	09409
FT150-12	1650S-12	09414
FT150-18	1650S-18	09417
FT151	1550	09408
FT151-12	1550S-12	09413
FT151-18	1550S-18	09416
FT152	n/a	08819
FT155	1900	08542
FT201	1350	n/a
FT201-12	1350S-12	n/a
FT201-18	1350S-18	n/a
FT202	1050	n/a
FT202-12	1050S-12	n/a
FT202-18	1050S-18	n/a
FT206	1000	n/a

FloTech Onboard Monitors		
FloTech P/N	Civacon P/N	Scully P/N
FT102	3150	08563
FT103	3100	08687
FT203P	3252	n/a
FT204P	3202	n/a
FT207	n/a	09111/09110
FT208	n/a	09109/09107

FloTech API & J560 Sockets		
FloTech P/N	Civacon P/N	Scully P/N
FT300	4100	07974
FT301	4400	07720
FT302	4600	08116
FT303	4200	07973
FT304	4401	08727/07716
FT305	4500	07681
FT306	4300	08199
FT307	4200	n/a
FT310	4110	21790
FT311	4410	20770
FT314	4411	08512/20768
FT316	4310	21192
FT317	4210	n/a
FT320	4150	08575
FT321	4450	08574

FT151/ 150 2 WIRE OPTIC SENSORS (BLK/WHT)

FT152 2 WIRE OPTIC RETAIN SENSORS (BLK/WHT)